



Glazed Steel Single Door w/ Sidelites

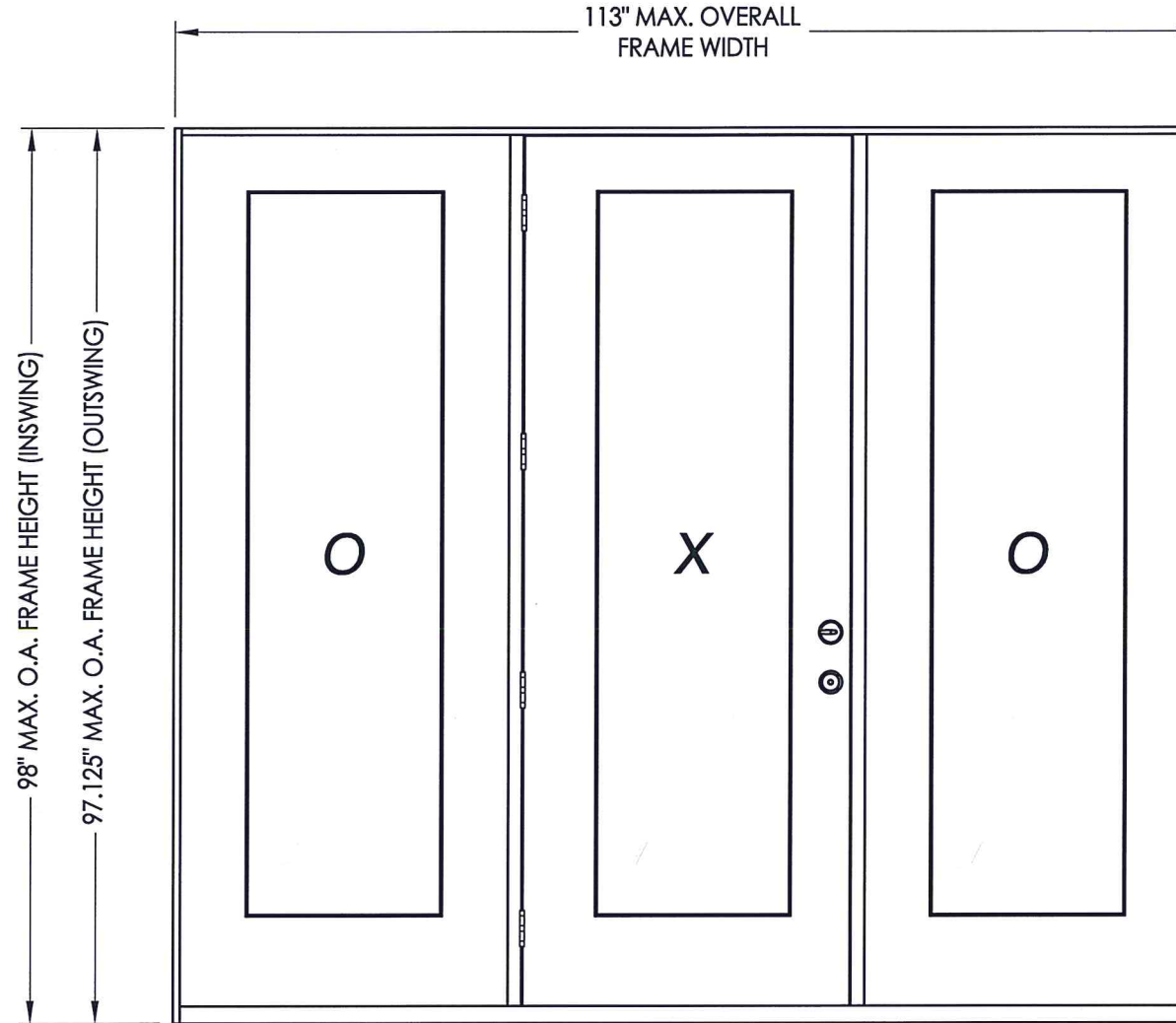
CONTINUOUS HEAD & SILL FRAME SYSTEM
IN SWING / OUT SWING
"NON-IMPACT"

EVALUATED FOR USE IN THE STATE OF TEXAS

The Glazed Steel Door system described herein complies with the 2018 International Residential Code (IRC), Sections R301 & R609 and the 2018 International Building Code (IBC), Sections 1404.13, 1609, 1709.5, 2403 and 2404 subject to the following conditions:

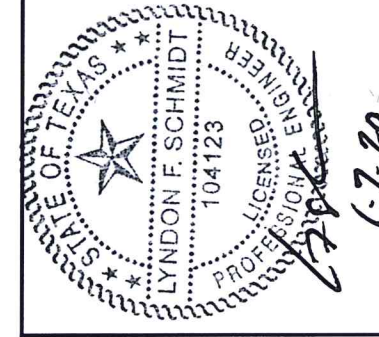
1. Anchors shall be as listed and spaced as shown in the details. Anchor embedment to base material shall be beyond wall dressing or stucco.
2. When used in areas requiring wind-borne debris protection this product is required to be protected with an impact resistant covering that complies with Section R301.2.1.2 of the IRC and Section 1609.2 of the IBC.
3. Allowable design pressure requirements must be equal to or less than the design pressure rating shown in the design pressure chart, sheet 1 of this drawing.
4. Conditions not covered by this drawing are subject to further engineering analysis.

TABLE OF CONTENTS	
SHEET #	DESCRIPTION
1	Typical elevations, design pressures & general notes
2	Door panel details
3	Slidelite panel details
4	Horizontal cross sections
5	Vertical & horizontal cross sections
6	Vertical cross sections
7	Frame anchoring



MODEL	DESIGN PRESSURE (PSF)	
	POSITIVE	NEGATIVE
IN SWING	+50.0	-50.0
OUT SWING	+45.0	-45.0

SEE SHEET 6 FOR THRESHOLD DESIGN PRESSURE LIMITATIONS



Documents Prepared By: Lyndon F. Schmidt, P.E.
TEXAS P.E. #104123

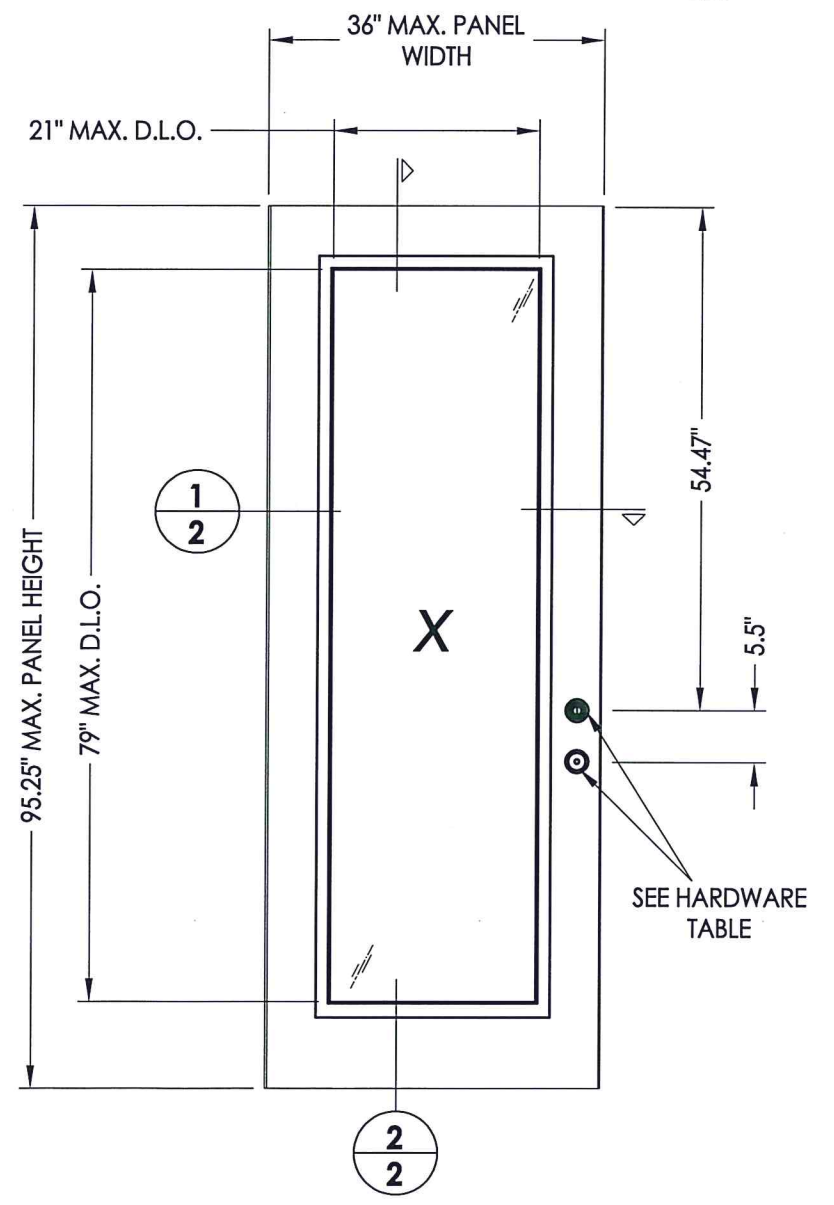
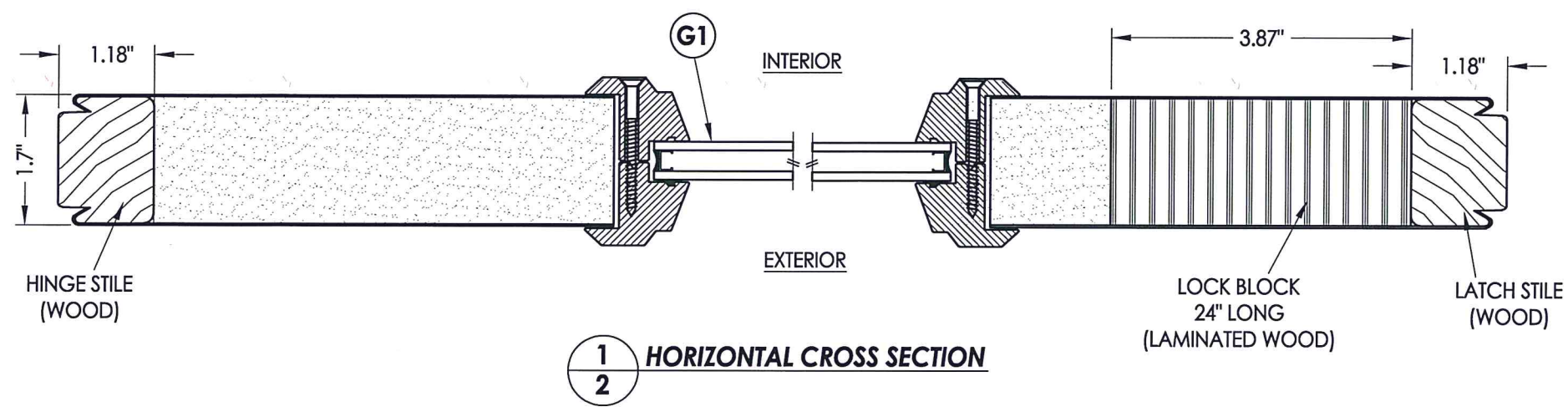
RW BUILDING CONSULTANTS, INC.
P.O. Box 230 Valrico FL 33595
Phone No.: 813.659.9197
TEXAS BOARD OF PROFESSIONAL ENGINEERS
CERTIFICATE OF REGISTRATION # F-11852

PRODUCT: ENDURA
PART OR ASSEMBLY: TYPICAL ELEVATION, DESIGN PRESSURES & GENERAL NOTES

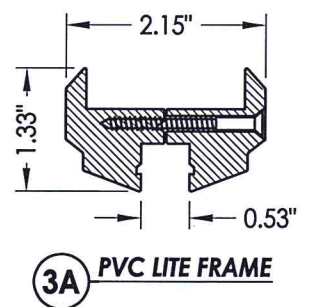
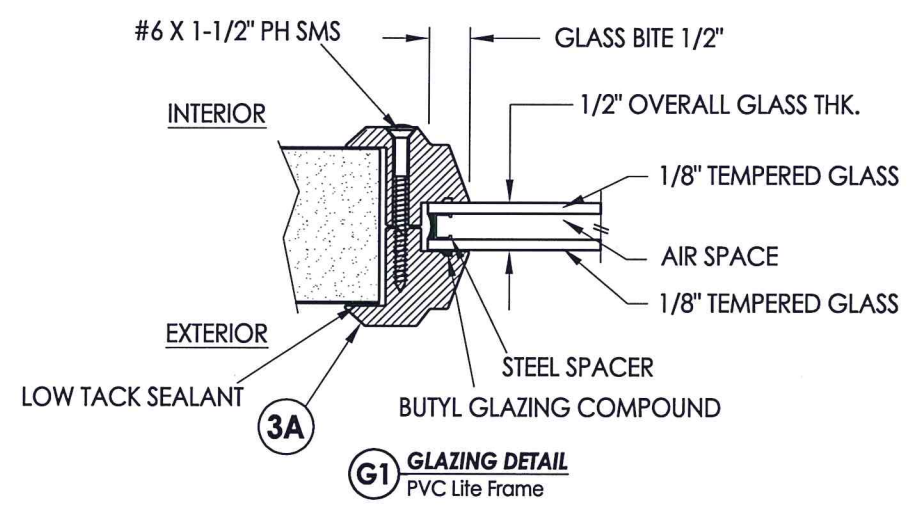
NO.	DATE	REVISIONS
1	1/06/20	ADD "FusionFrame" OPTION & UPDATE TO 2018 IBC/IRC CODE

DATE: 12/11/17
SCALE: N.T.S.
DWG. BY: JK
CHK. BY: LFS
DRAWING NO.: TX-4776
SHEET 1 OF 7

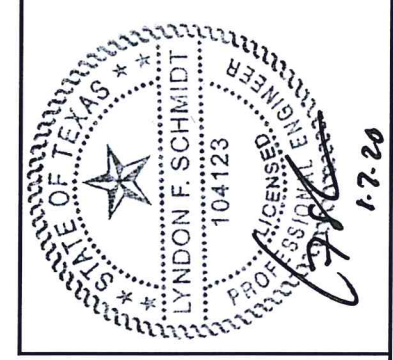
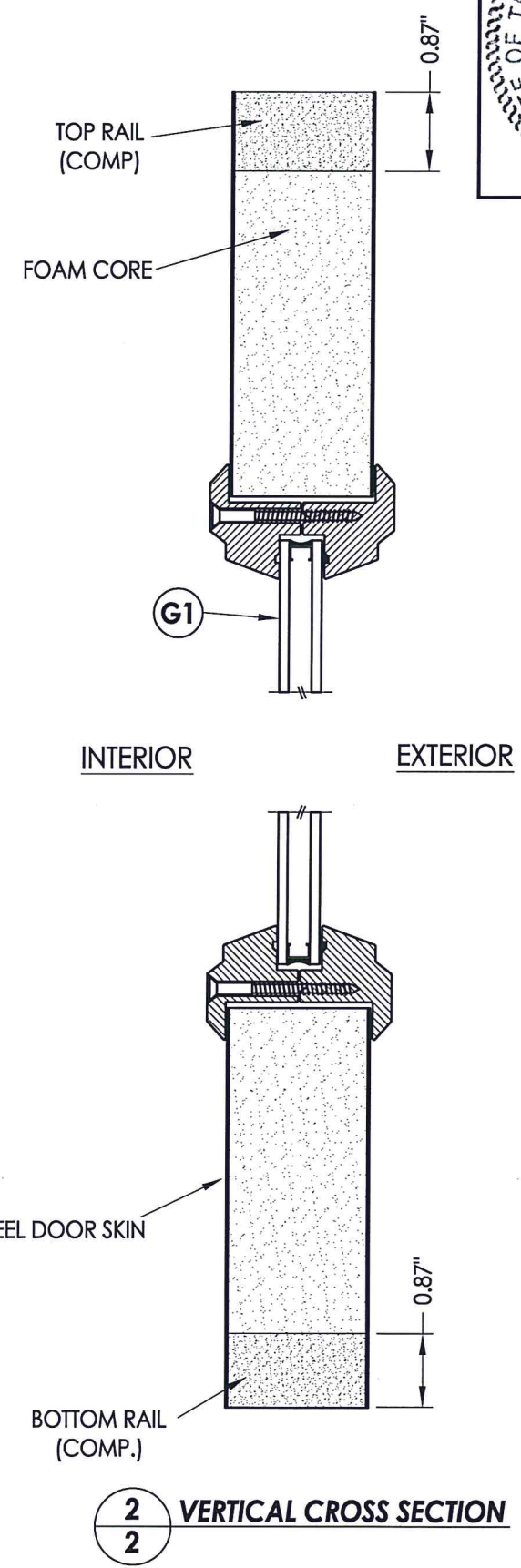
R:\Clients\Endura PERMANENT\B - Texas Dept of Ins\TDI - DR-957 Glazed Thermo-Tru FG door OXO (LK, DB) 36 in SL (4775-4776)\C - Drawings\TX-4775.76.dwg, 2.4



40 **DOOR PANEL**
Therma-Tru Steel (Wood Edge)



HARDWARE TABLE	
MANUFACTURER	MODEL
KWIKSET	KNOB: SIGNATURE SERIES DEADBOLT: SIGNATURE SERIES (980)



Documents Prepared By: Lyndon F. Schmidt, P.E.
TEXAS P.E. #104123

RW BUILDING CONSULTANTS, INC.
P.O. Box 230 Valrico FL, 33595
Phone No.: 813.659.9197

TEXAS BOARD OF PROFESSIONAL ENGINEERS
CERTIFICATE OF REGISTRATION # F-11852

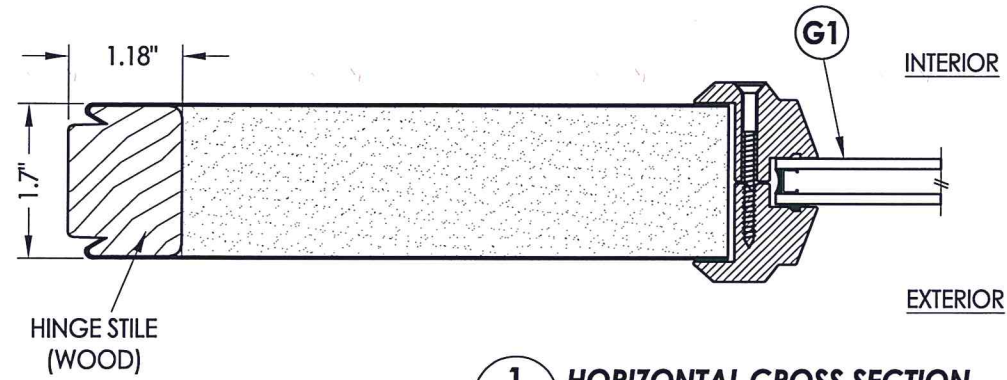
PRODUCT: ENDURA

PART OR ASSEMBLY: DOOR PANEL DETAILS

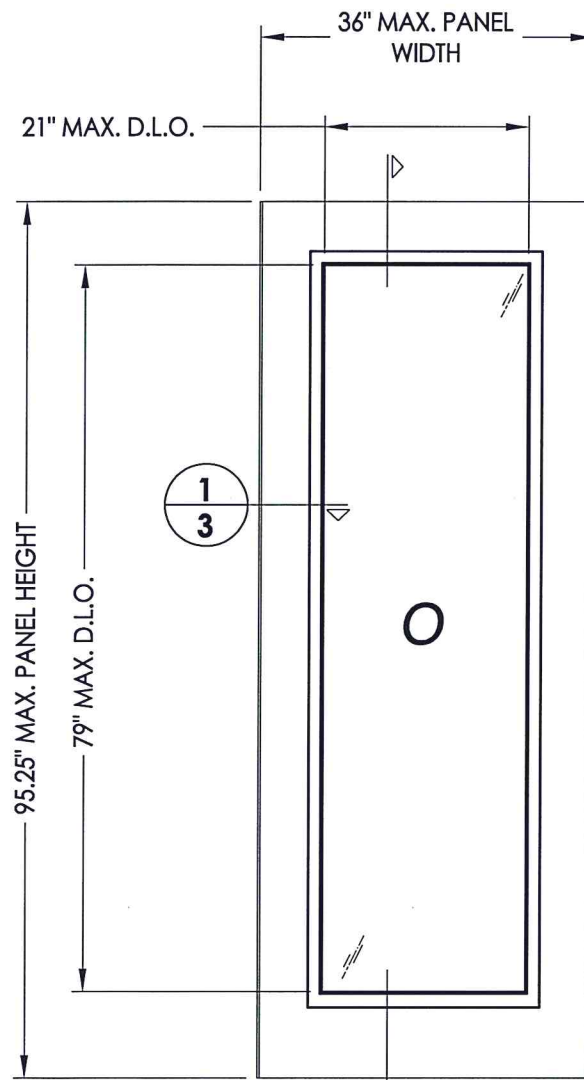
NO.	DATE	BY	REVISIONS
1	1/06/20	LFS	ADD "FusionFrame" OPTION & UPDATE TO 2018 IBC/IRC CODE

DATE: 12/11/17
SCALE: N.T.S.
DWG. BY: JK
CHK. BY: LFS
DRAWING NO.: TX-4776
SHEET 2 OF 7

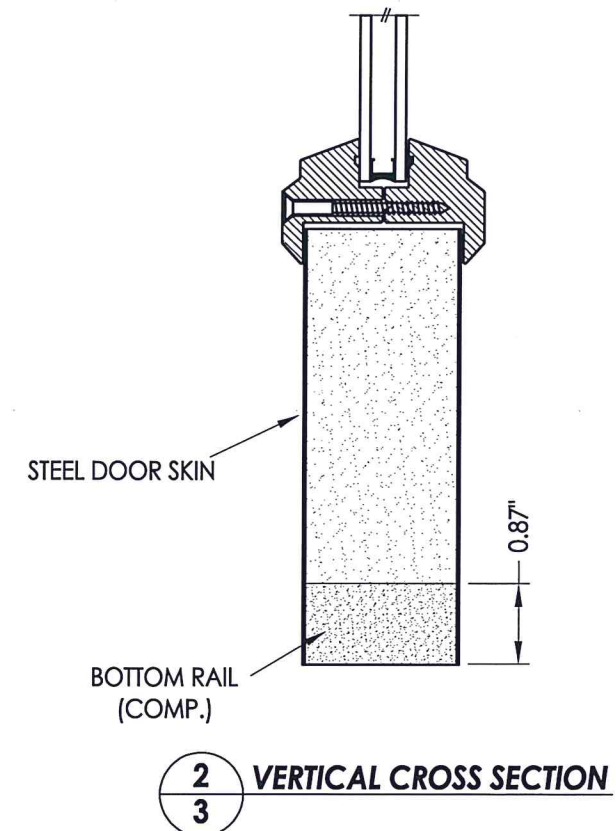
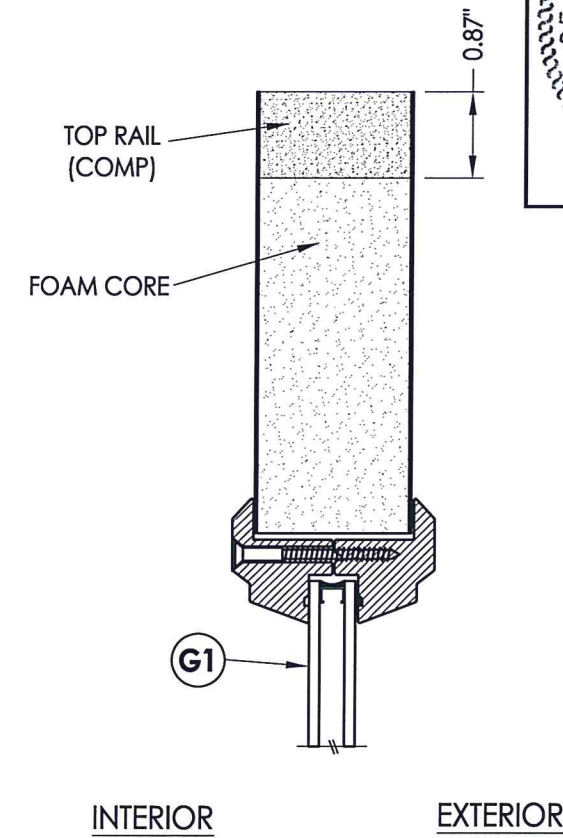
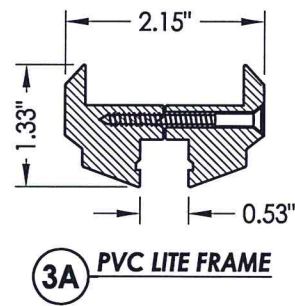
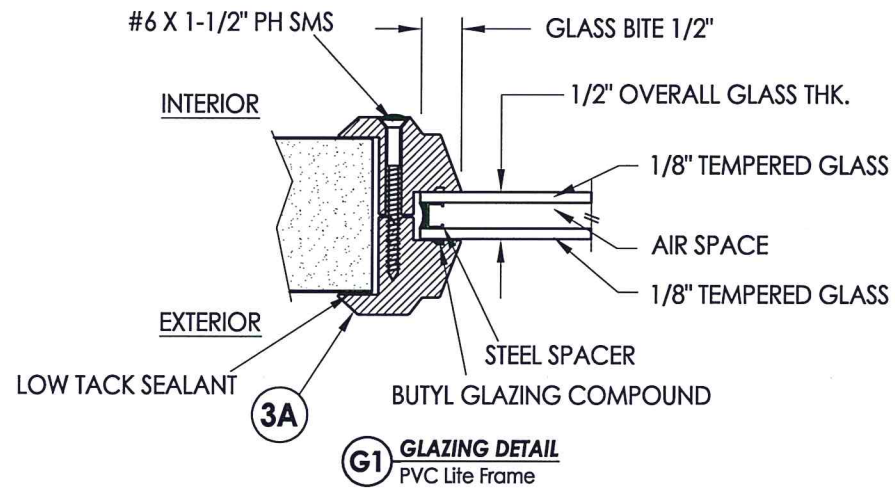
R:\Clients\Endura PERMANENT\B - Texas Dept of Ins\TDI - DR-957 Glazed Therma-Tru FG door OXO (LK, DB) 36 in SL (4775-4776)\C - Drawings\TX-4775.76.dwg, 3.4



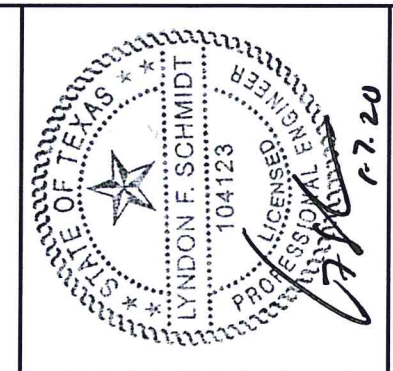
1
3 HORIZONTAL CROSS SECTION



50 SIDELITE PANEL
Therma-Tru Steel (Wood Edge)



2
3 VERTICAL CROSS SECTION

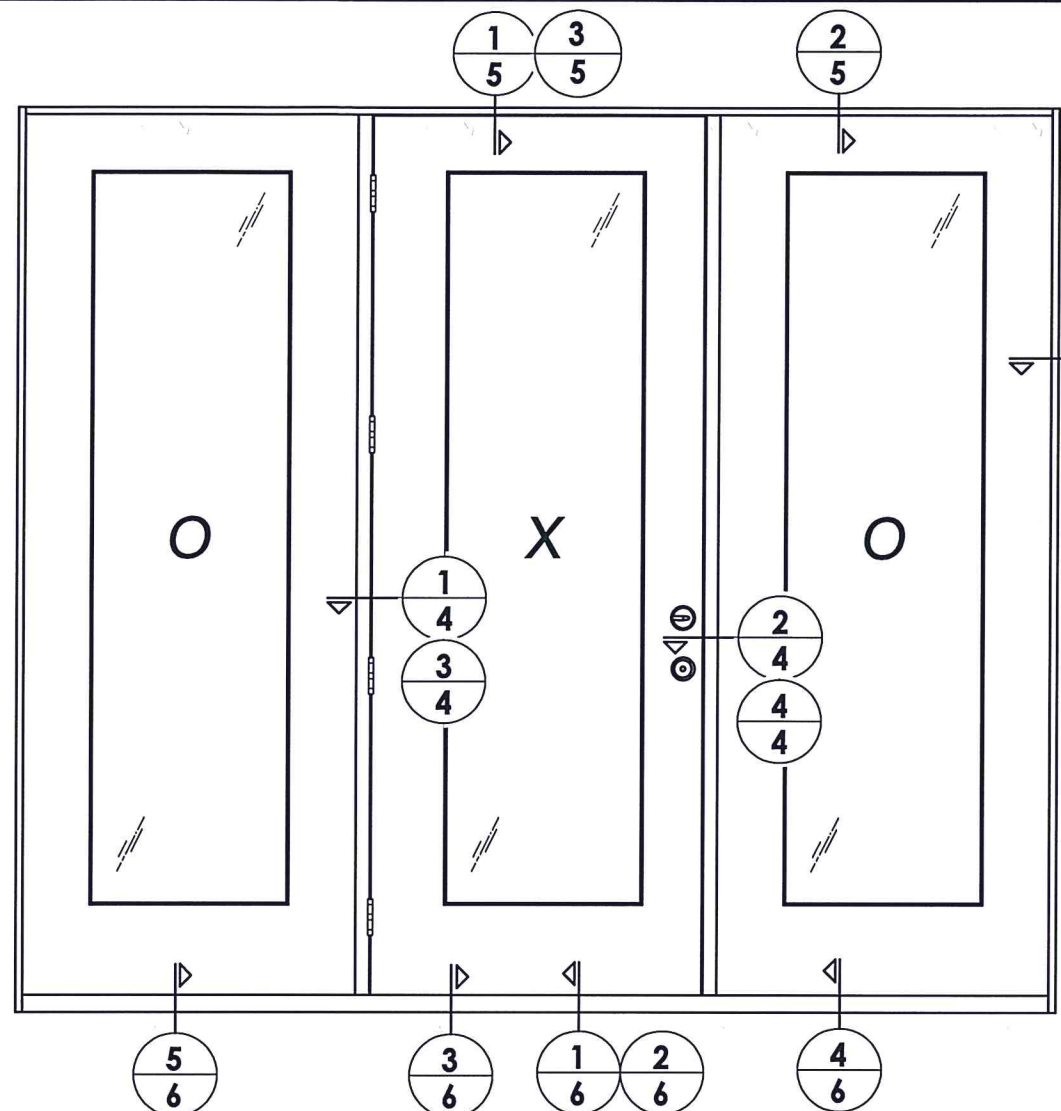


Documents Prepared By: Lyndon F. Schmidt, P.E.
TEXAS P.E. #104123
RW BUILDING CONSULTANTS, INC.
P.O. Box 230 Valrico FL, 33595
Phone No.: 813.659.9197
TEXAS BOARD OF PROFESSIONAL ENGINEERS
CERTIFICATE OF REGISTRATION # F-11852

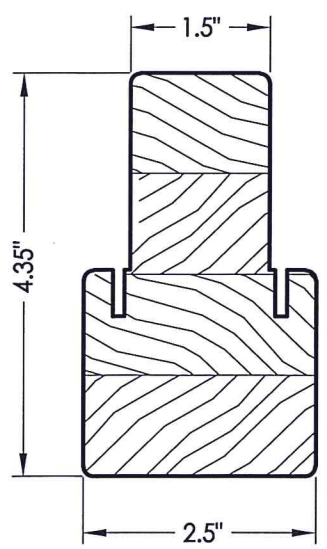
PRODUCT:	ENDURA	
PART OR ASSEMBLY:	SIDELITE PANEL DETAILS	
NO.	DATE	BY
1	1/06/20	LFS
ADD "FusionFrame" OPTION & UPDATE TO 2018 IBC/IRC CODE		
REVISIONS		
DATE:	12/11/17	
SCALE:	N.T.S.	
DWG. BY:	JK	
CHK. BY:	LFS	
DRAWING NO.:	TX-4776	
SHEET	3	OF 7

SIDLITE SKIN: STEEL 25 GA. (0.020" MIN. THICKNESS)
CORE MATERIAL: POLYURETHANE FOAM

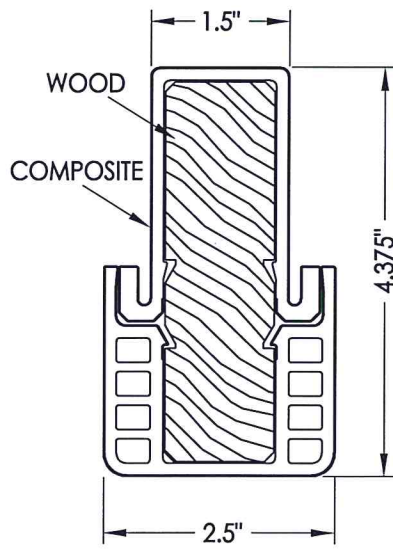
R:\Clients\Endura PERMANENT\B - Texas Dept of Ins\TDI - DR-957 Glazed Thermo-Tru FG door OXO (LK, DB) 36 in SL (4775-4776)\C - Drawings\TX-4775.76.dwg, 4.4



ELEVATION
OXO SHOWN (XO/OX SIMILAR)

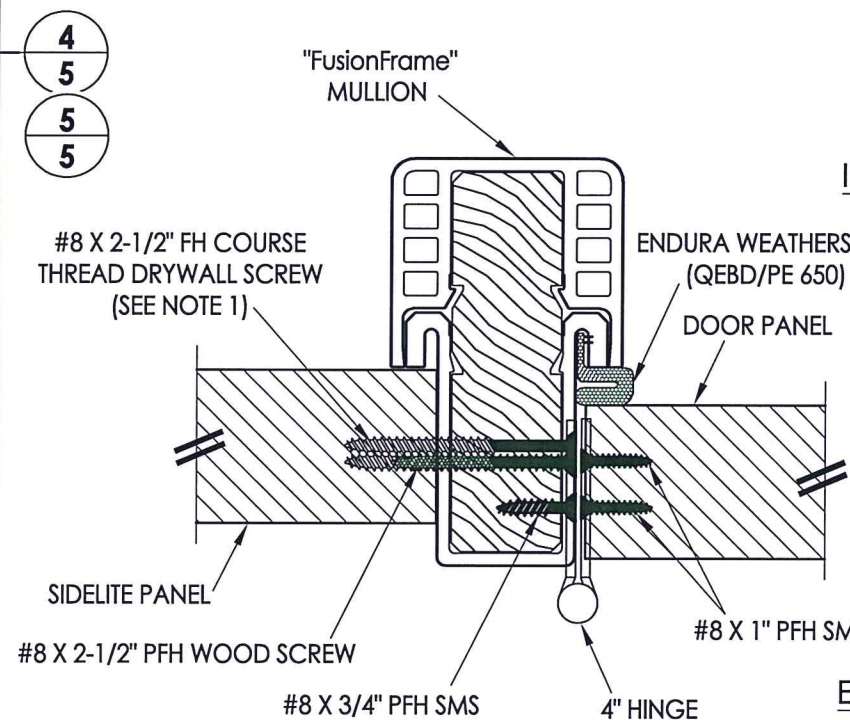


FATBOY MULLION
PINE

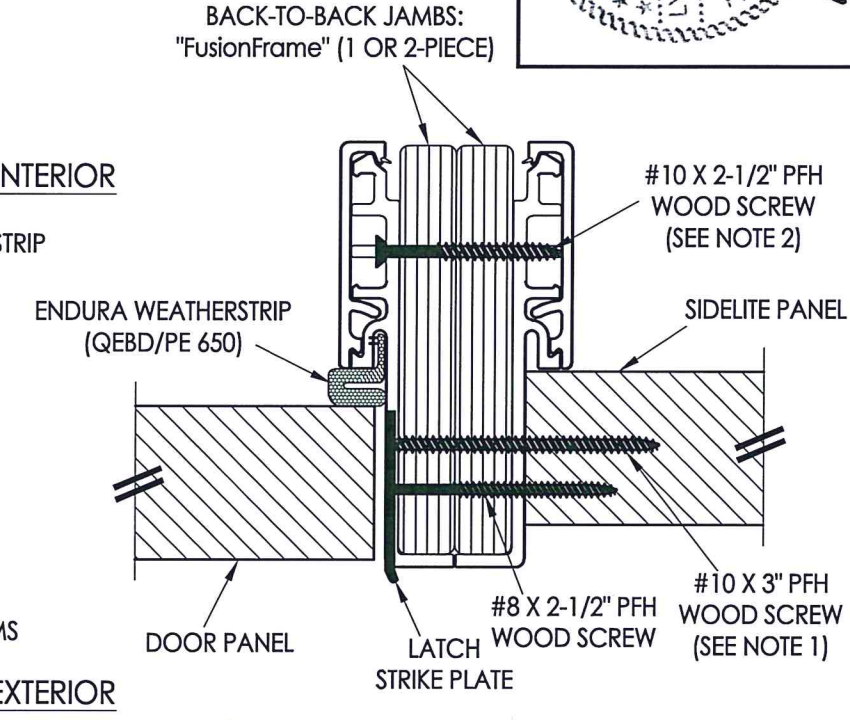


MULLION
"FusionFrame"

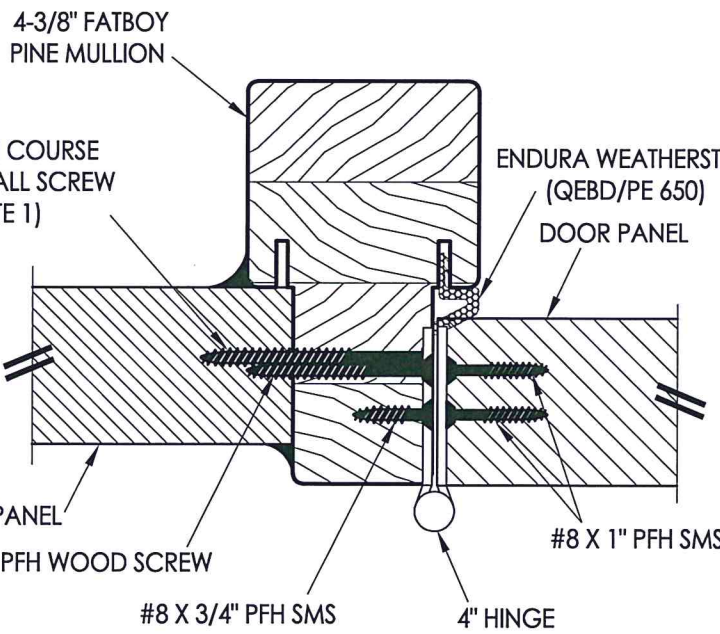
- NOTES:
 1. Spacing for sidelite screws: 6.5", 35.5", 57.25" and 85" from head to sill (4 total).
 2. Spacing for mullion screws: 6" from each end plus 3 more equally spaced (5 total).



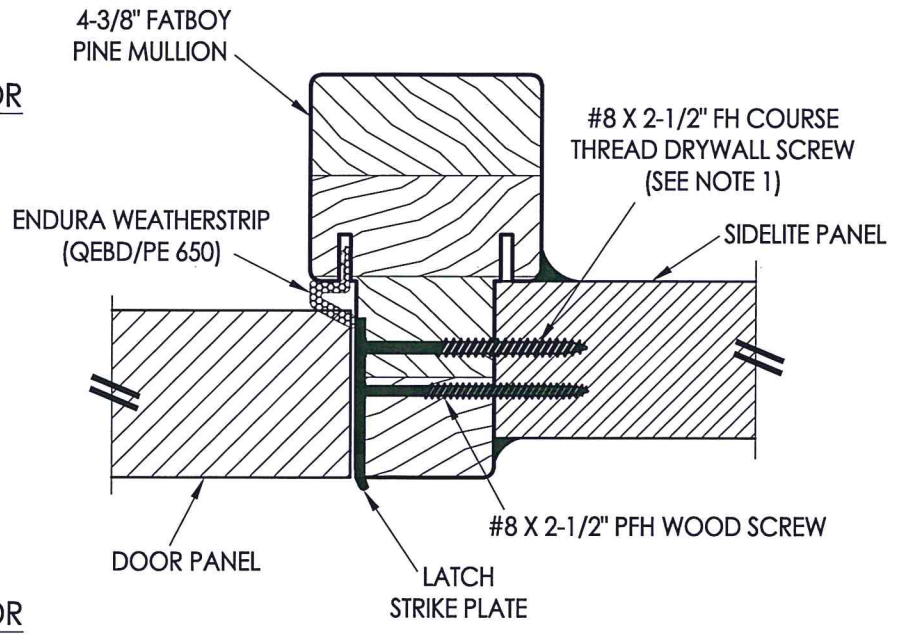
3 HORIZONTAL CROSS SECTION
4 Outswing shown - Inswing also approved



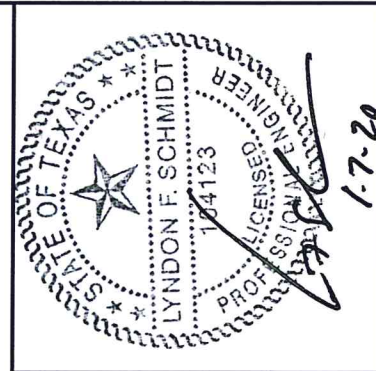
4 HORIZONTAL CROSS SECTION
4 Outswing shown - Inswing also approved



1 HORIZONTAL CROSS SECTION
4 Outswing shown - Inswing also approved



2 HORIZONTAL CROSS SECTION
4 Outswing shown - Inswing also approved



Documents Prepared By: Lyndon F. Schmidt, P.E.
TEXAS P.E. #104123
 RW BUILDING CONSULTANTS, INC.
P.O. Box 230 Valrico FL 33595
Phone No.: 813.659.9197
 TEXAS BOARD OF PROFESSIONAL ENGINEERS
CERTIFICATE OF REGISTRATION # F-11852

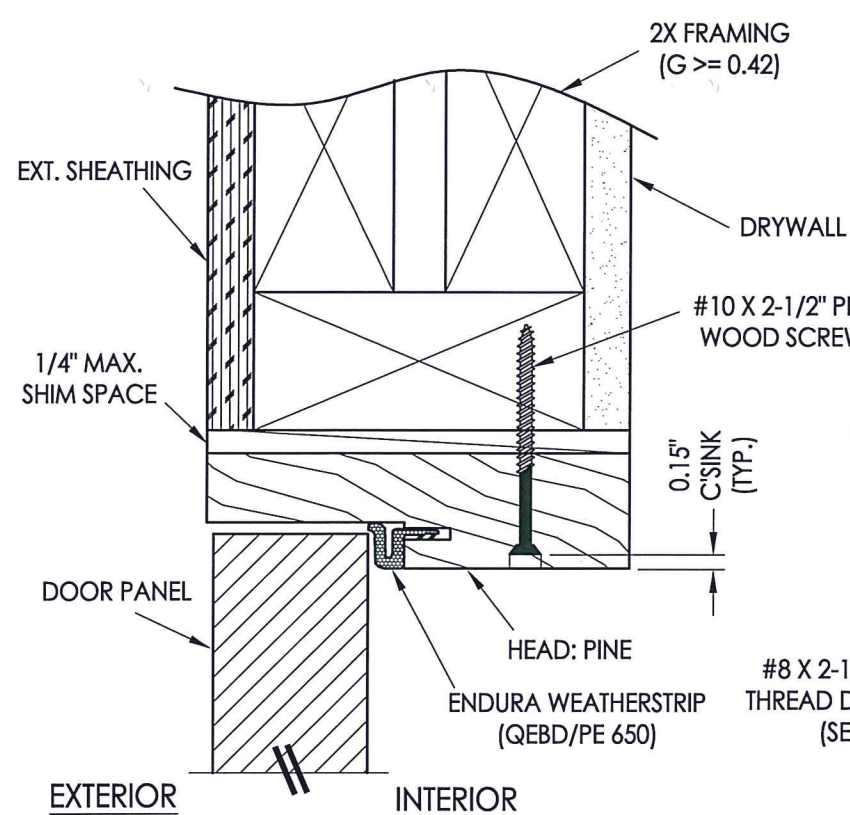
PRODUCT: ENDURA
 FIBERGLASS DOOR
 PART OR ASSEMBLY:
 HORIZONTAL
 CROSS SECTIONS

NO.	DATE	REVISIONS	BY
1	1/06/20	ADD "FusionFrame" OPTION & UPDATE TO 2018 IBC/IRC CODE	LFS

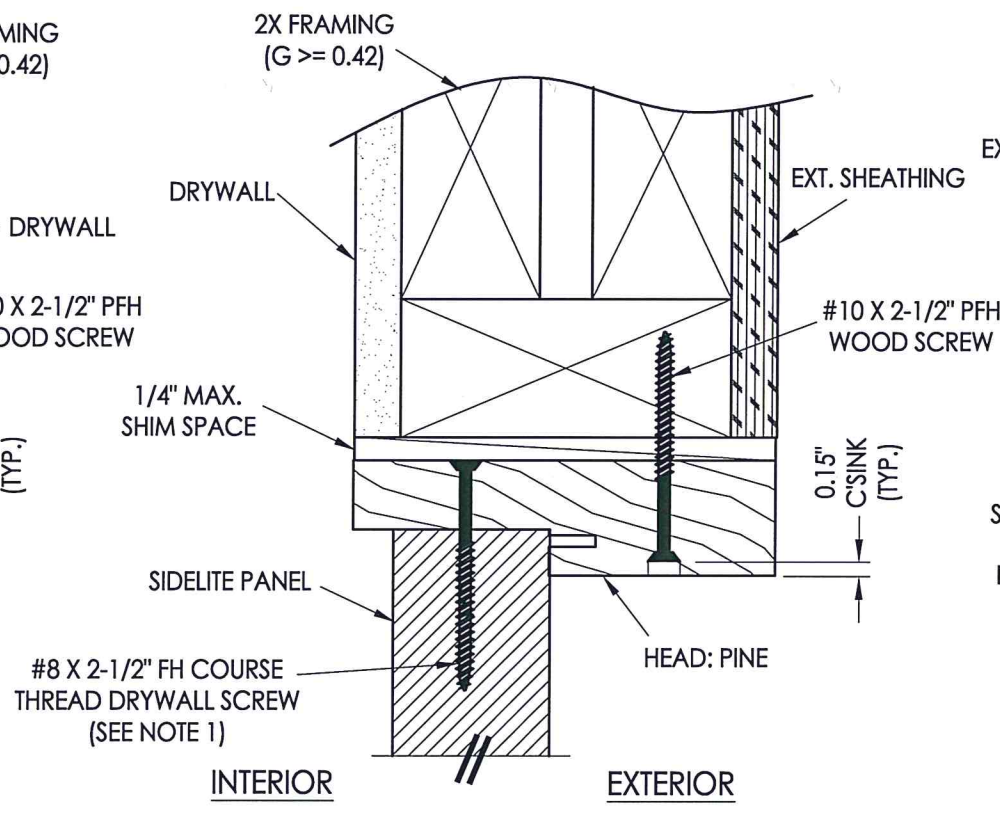
DATE: 12/11/17
 SCALE: N.T.S.
 DWG. BY: JK
 CHK. BY: LFS
 DRAWING NO.: TX-4776
 SHEET 4 OF 7

© 2017 R.W. BUILDING CONSULTANTS INC.

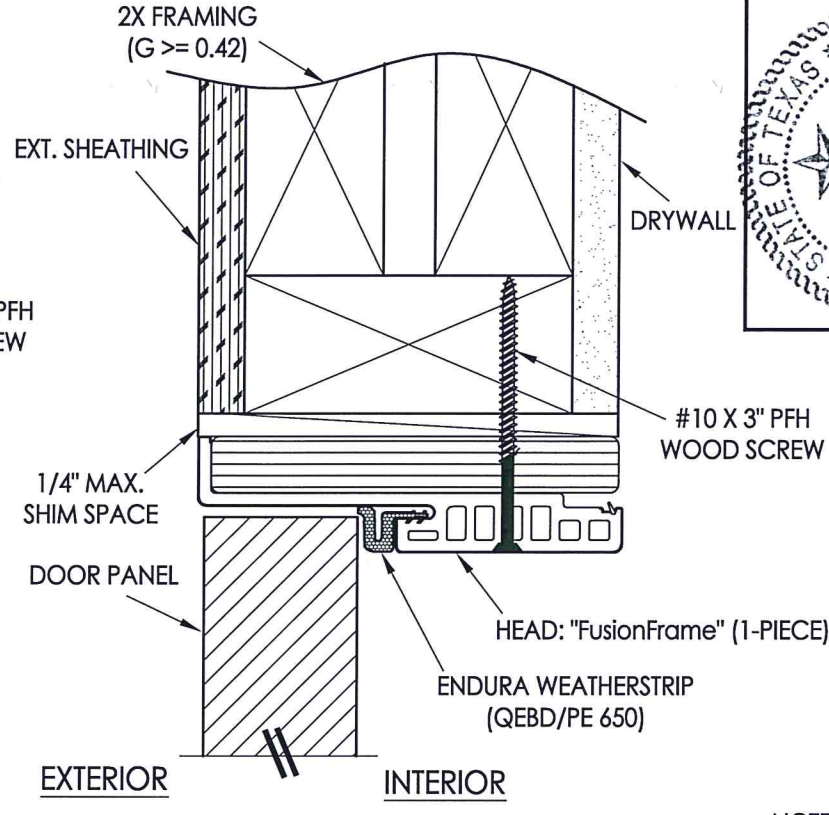
R:\Clients\Endura PERMANENT\B - Texas Dept of Ins\TDI - DR-957 Glazed Thermo-Tru FG door OXO (LK, DB) 36 in SL (4775-4776)\C - Drawings\TX-4775.76.dwg, 5.4



1 VERTICAL CROSS SECTION
5 Outswing shown - inswing also approved

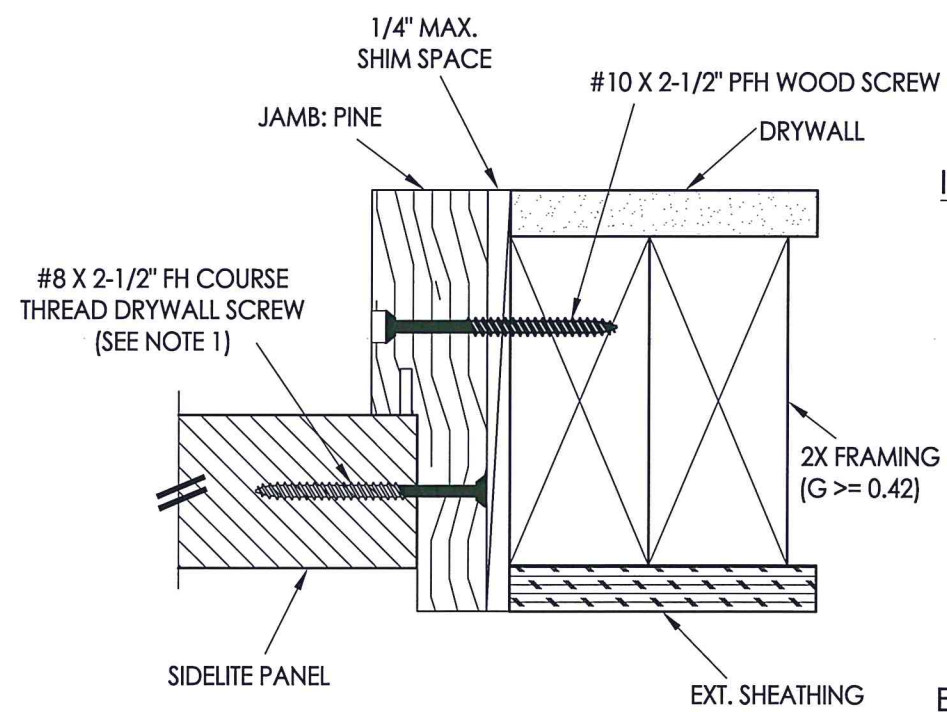
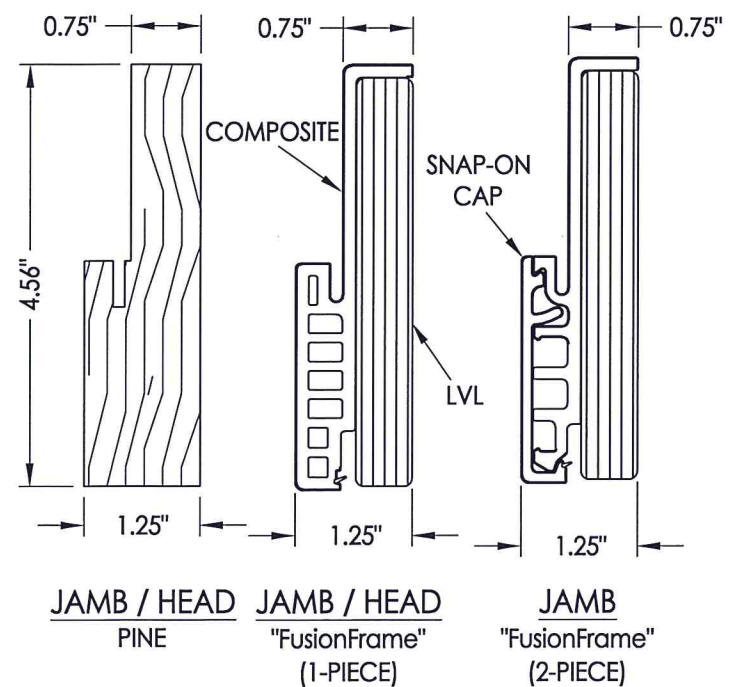


2 VERTICAL CROSS SECTION
5 Inswing shown - Outswing also approved

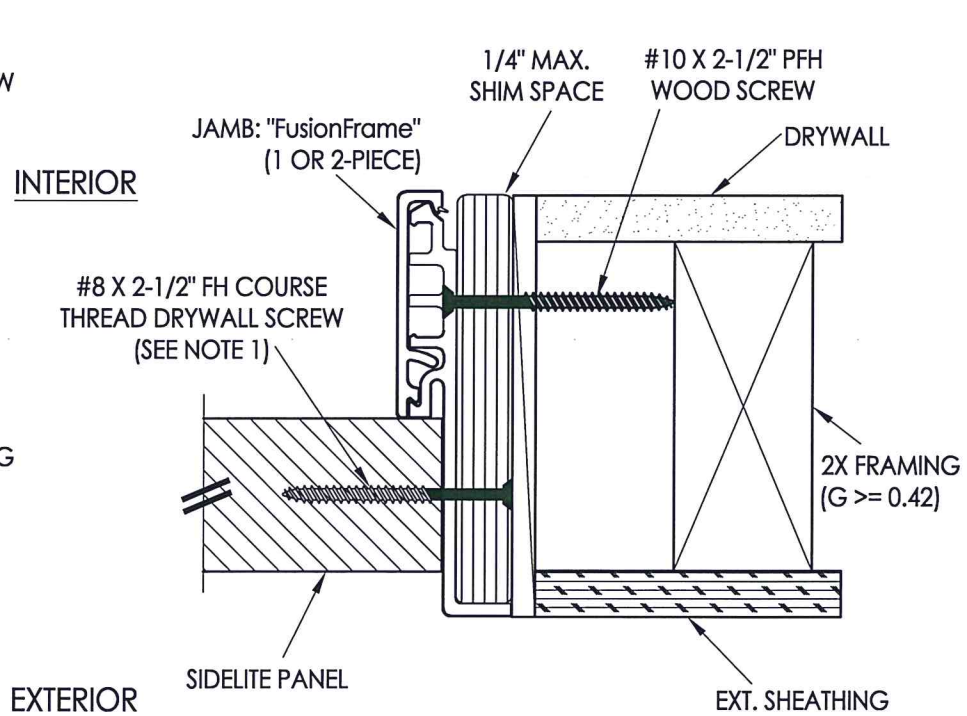


3 VERTICAL CROSS SECTION
5 Outswing shown - inswing also approved

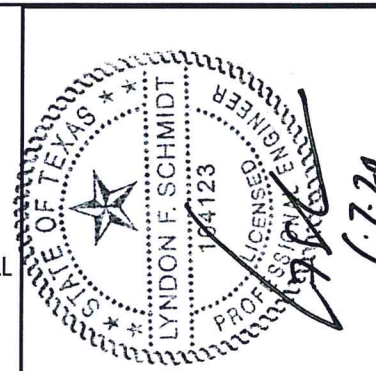
NOTE:
 1. Spacing for sidelite screws:
 4" from each end (2 total).



4 HORIZONTAL CROSS SECTION
5 Outswing shown - Inswing also approved



5 HORIZONTAL CROSS SECTION
5 Outswing shown - Inswing also approved



Documents Prepared By: Lyndon F. Schmidt, P.E.
 TEXAS P.E. #104123
 R.W. BUILDING CONSULTANTS, INC.
 P.O. Box 230 Vairico FL 33595
 Phone No.: 813.659.9197
 TEXAS BOARD OF PROFESSIONAL ENGINEERS
 CERTIFICATE OF REGISTRATION # F-11852

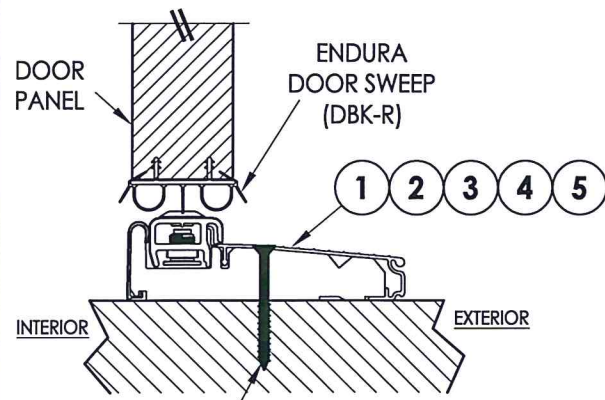
PRODUCT:	ENDURA
PART OR ASSEMBLY:	VERTICAL & HORIZONTAL CROSS SECTIONS

NO.	DATE	BY	REVISIONS
1	1/06/20	LFS	ADD "FusionFrame" OPTION & UPDATE TO 2018 IBC/IRC CODE

DATE:	12/11/17
SCALE:	N.T.S.
DWG. BY:	JK
CHK. BY:	LFS
DRAWING NO.:	TX-4776
SHEET	5 OF 7

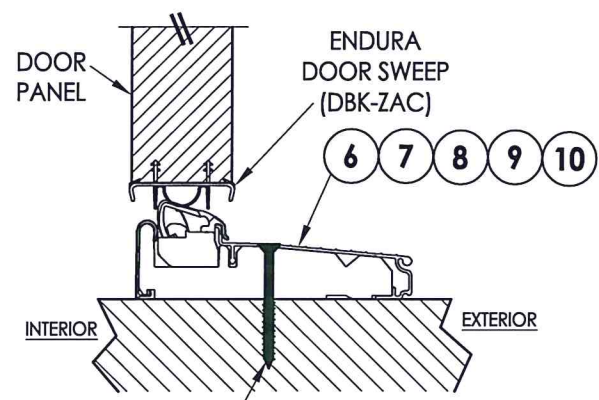
© 2017 R.W. BUILDING CONSULTANTS INC.

R:\Clients\Endura PERMANENT\B - Texas Dept of Ins\TDI - DR-957 Glazed Thermo-Tru FG door OXO (LK, DB) 36 in SL (4775-4776)C - Drawings\TX-4776.76.dwg, 6.4



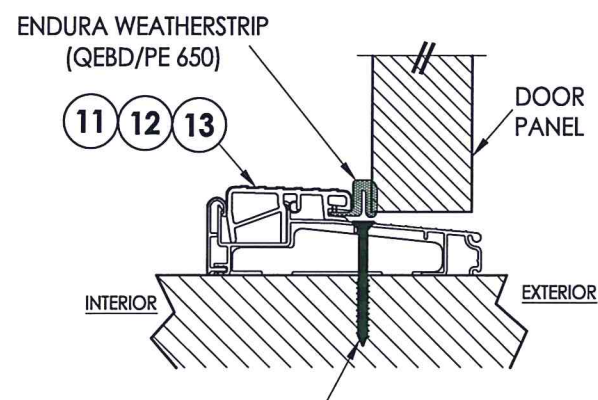
#10 X 2.5" PFH WOOD SCREW OR 1/4" X 2-3/4" ELCO OR ITW CONCRETE SCREW

1 VERTICAL CROSS SECTION
6 Inswing Adjustable Threshold



#10 X 2.5" PFH WOOD SCREW OR 1/4" X 2-3/4" ELCO OR ITW CONCRETE SCREW

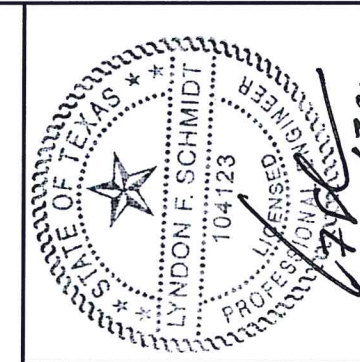
2 VERTICAL CROSS SECTION
6 Inswing Articulating Threshold



#10 X 2.5" PFH WOOD SCREW OR 1/4" X 2-3/4" ELCO OR ITW CONCRETE SCREW

3 VERTICAL CROSS SECTION
6 Outswing Bump Threshold

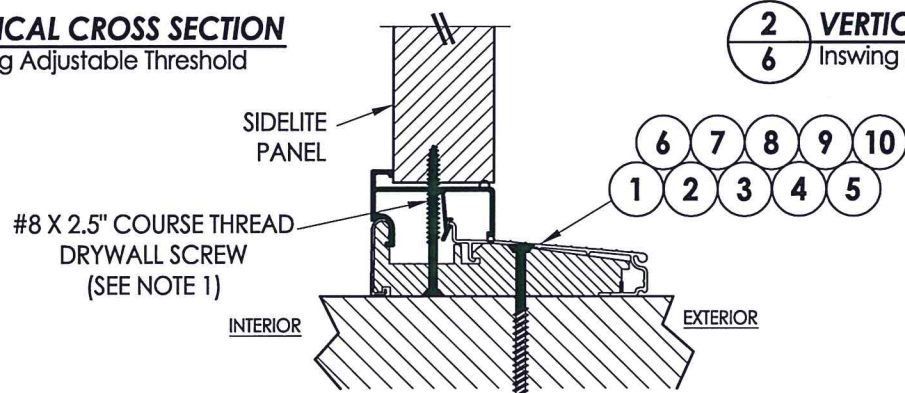
NOTE:
1. Spacing for sidelite screws: 6" from each end (2 total).



Documents Prepared By: Lyndon F. Schmidt, P.E. TEXAS P.E. #104123

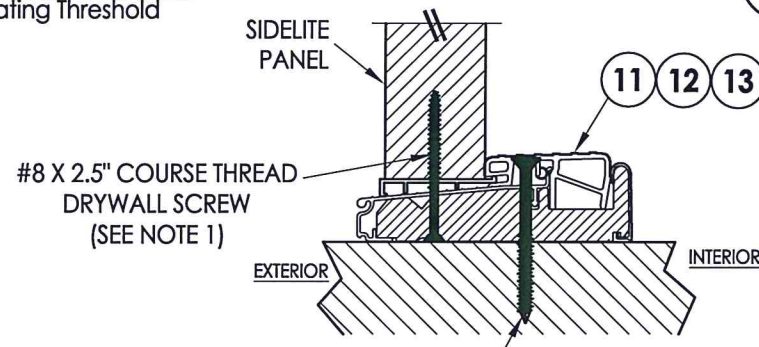
RW BUILDING CONSULTANTS, INC.
P.O. Box 230 Valrico FL 33595
Phone No.: 813.659.9197

TEXAS BOARD OF PROFESSIONAL ENGINEERS
CERTIFICATE OF REGISTRATION # F-11852



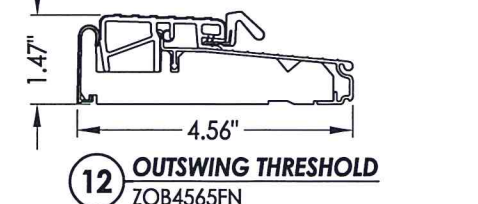
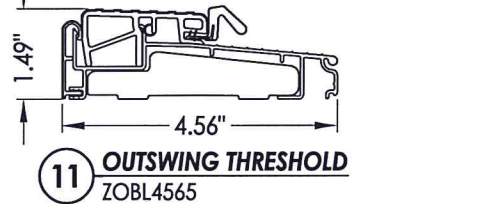
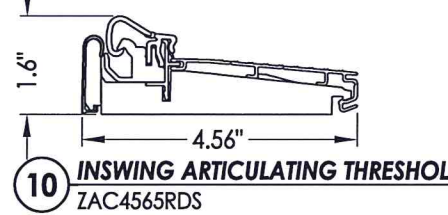
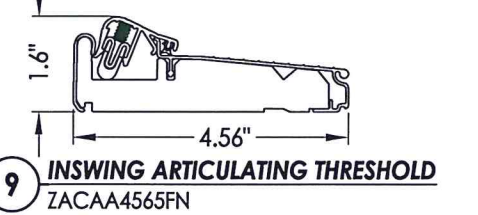
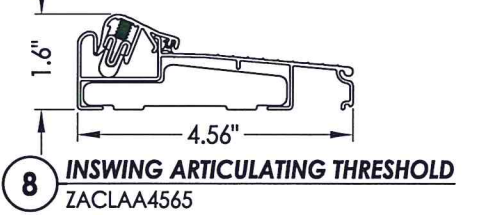
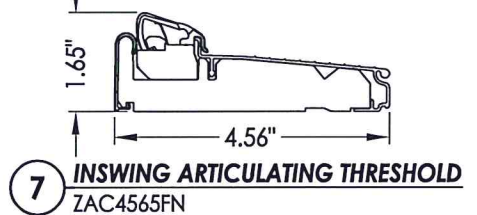
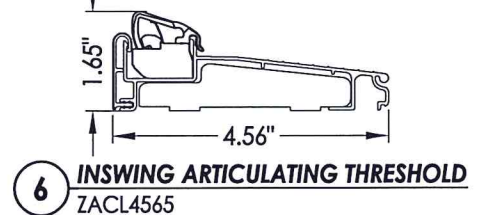
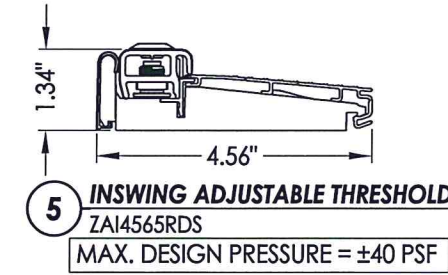
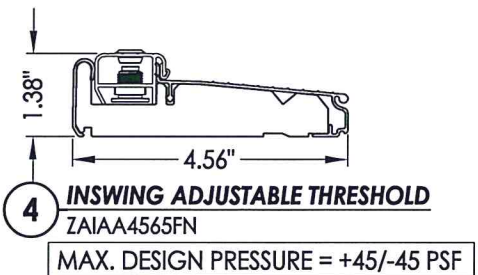
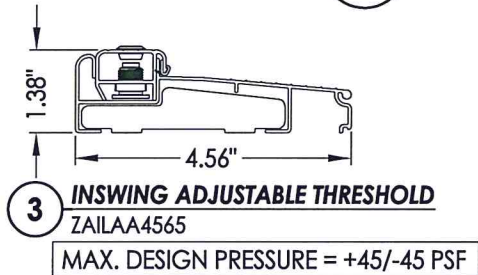
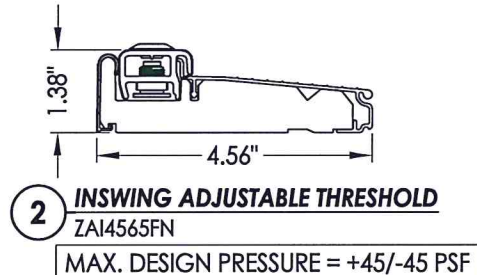
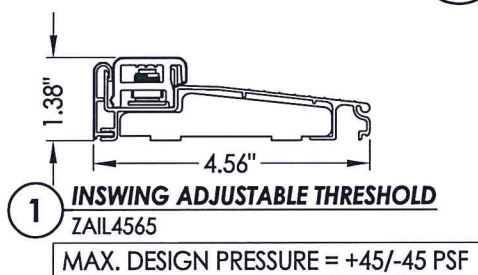
#10 X 2.5" PFH WOOD SCREW OR 1/4" X 2-3/4" ELCO OR ITW CONCRETE SCREW

4 VERTICAL CROSS SECTION
6 Inswing configuration



#10 X 3" PFH WOOD SCREW OR 1/4" X 3-1/4" ELCO OR ITW CONCRETE SCREW

5 VERTICAL CROSS SECTION
6 Outswing configuration

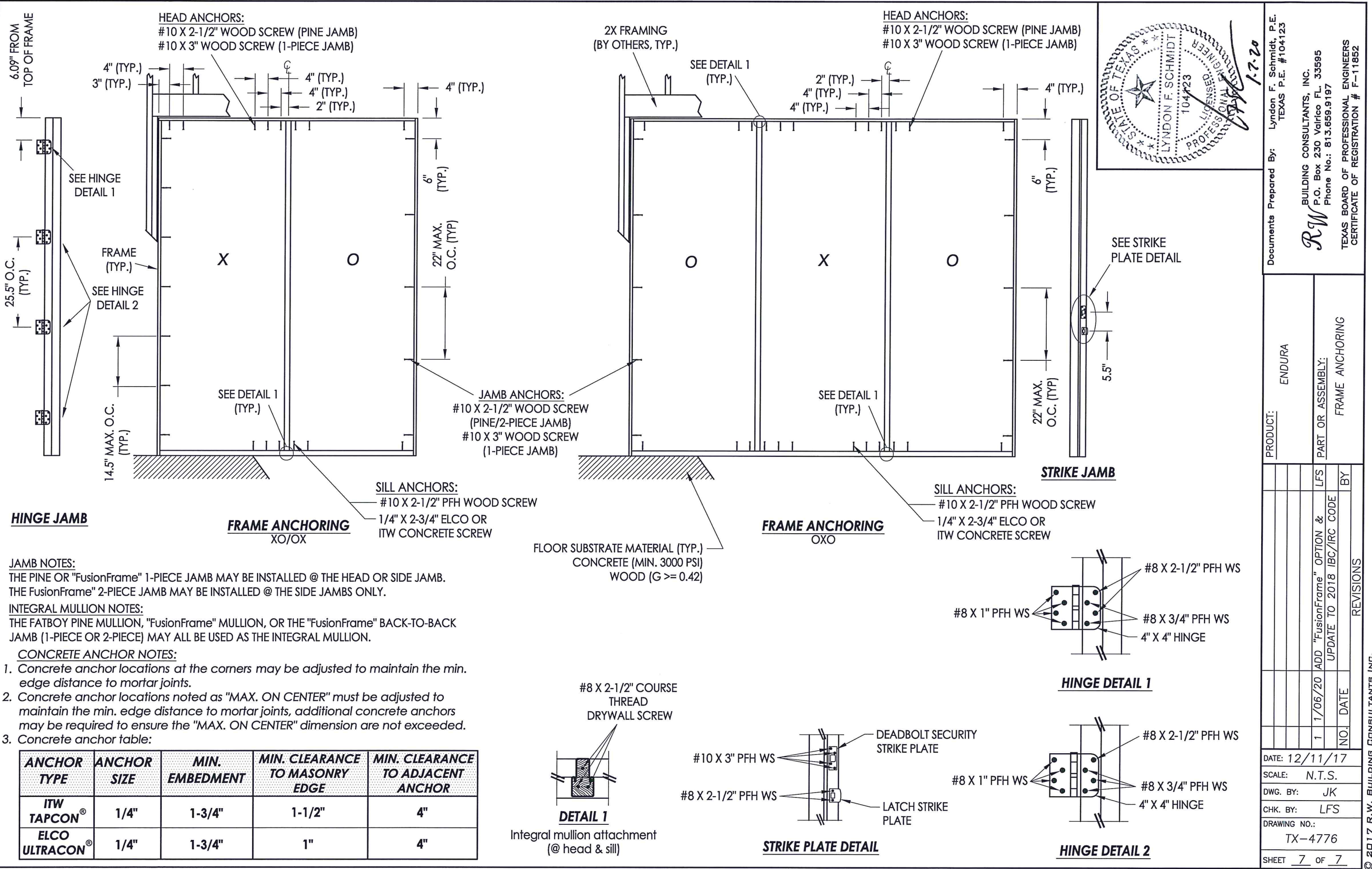


PRODUCT: ENDURA
FIBERGLASS DOOR
PART OR ASSEMBLY:
VERTICAL CROSS SECTIONS

NO.	DATE	BY	REVISIONS
1	1/06/20	LFS	ADD "FusionFrame" OPTION & UPDATE TO 2018 IBC/IRC CODE

DATE: 12/11/17
SCALE: N.T.S.
DWG. BY: JK
CHK. BY: LFS
DRAWING NO.: TX-4776
SHEET 6 OF 7

© 2017 R.W. BUILDING CONSULTANTS INC.



HINGE JAMB

FRAME ANCHORING XO/OX

FRAME ANCHORING OXO

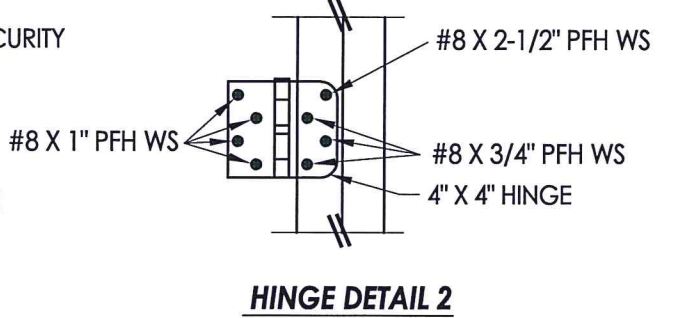
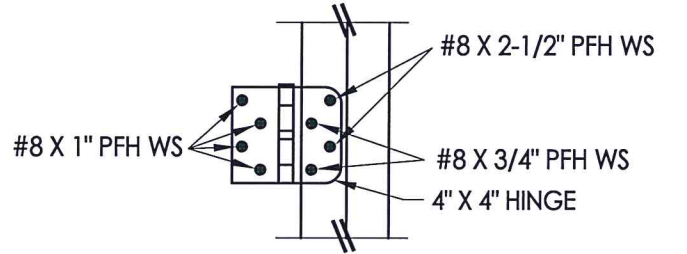
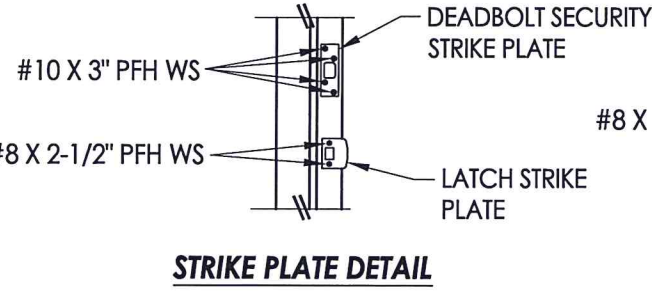
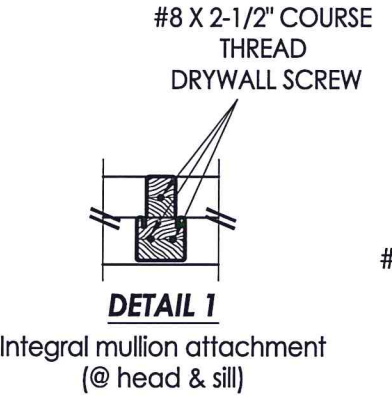
STRIKE JAMB

JAMB NOTES:
 THE PINE OR "FusionFrame" 1-PIECE JAMB MAY BE INSTALLED @ THE HEAD OR SIDE JAMB.
 THE FusionFrame" 2-PIECE JAMB MAY BE INSTALLED @ THE SIDE JAMBS ONLY.

INTEGRAL MULLION NOTES:
 THE FATBOY PINE MULLION, "FusionFrame" MULLION, OR THE "FusionFrame" BACK-TO-BACK JAMB (1-PIECE OR 2-PIECE) MAY ALL BE USED AS THE INTEGRAL MULLION.

- CONCRETE ANCHOR NOTES:**
- Concrete anchor locations at the corners may be adjusted to maintain the min. edge distance to mortar joints.
 - Concrete anchor locations noted as "MAX. ON CENTER" must be adjusted to maintain the min. edge distance to mortar joints, additional concrete anchors may be required to ensure the "MAX. ON CENTER" dimension are not exceeded.
 - Concrete anchor table:

ANCHOR TYPE	ANCHOR SIZE	MIN. EMBEDMENT	MIN. CLEARANCE TO MASONRY EDGE	MIN. CLEARANCE TO ADJACENT ANCHOR
ITW TAPCON®	1/4"	1-3/4"	1-1/2"	4"
ELCO ULTRACON®	1/4"	1-3/4"	1"	4"



Documents Prepared By: Lyndon F. Schmidt, P.E.
 TEXAS P.E. #104723

RW BUILDING CONSULTANTS, INC.
 P.O. Box 230 Vairico FL, 33595
 Phone No.: 813.659.9197

TEXAS BOARD OF PROFESSIONAL ENGINEERS
 CERTIFICATE OF REGISTRATION # F-11852

PRODUCT: ENDURA

PART OR ASSEMBLY: FRAME ANCHORING

NO.	DATE	REVISIONS
1	1/06/20	ADD "FusionFrame" OPTION & UPDATE TO 2018 IBC/IRC CODE

DATE: 12/11/17

SCALE: N.T.S.

DWG. BY: JK

CHK. BY: LFS

DRAWING NO.: TX-4776

SHEET 7 OF 7